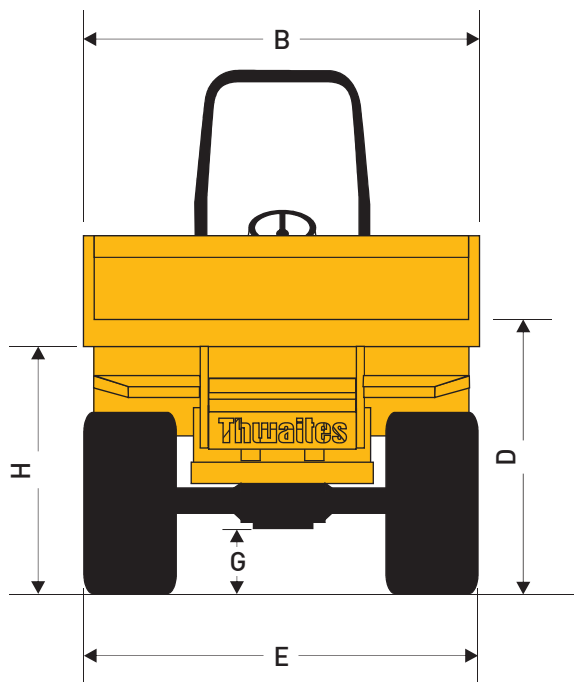
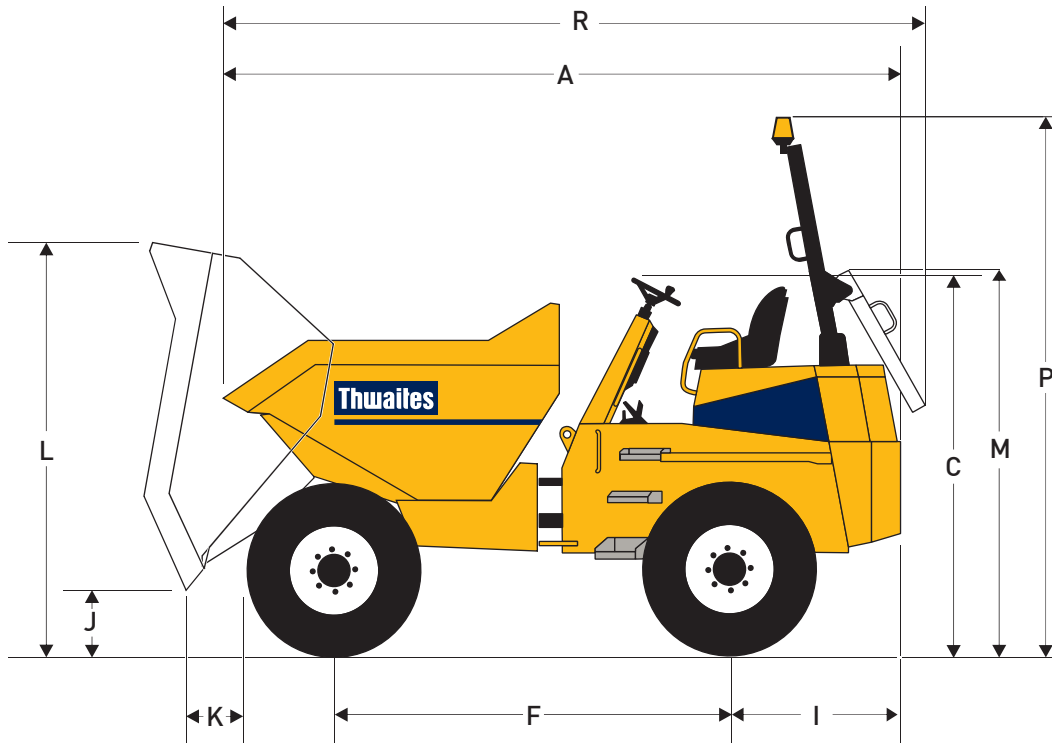


► SPECIFICATIONS

# Alldrive 10 Tonne Front Tip



**Dimensions  
(mm)**

A	4686
B	2485
C	2540
D	1740
E	2440
F	2615
G	447
H	2135
I	1256
J	436
K	768
L	2860
M	2630
P	3415
R	5064

► SPECIFICATIONS

# Alldrive 10 Tonne Front Tip

<b>Capacities</b>	Max safe load	10000kg
	Heaped	4700 litres
	Struck	4110 litres
	Water	2350 litres

### Engine

Deutz TCD 3.6 L4 90kW/121hp at 2200rpm, water-cooled, four cylinder, charged air cooled turbo, electronic controlled fuel injected diesel engine. Powercore air intake filter and stainless steel exhaust system, including after treatment Diesel Oxidisation Catalyst providing conformity to EU Stage IIIB emission regulations. Peak torque 480Nm at 1600 rpm.

### Noise Levels

Operator's ear 84 LpA, airborne sound level 103 LwA

### Transmission

Torque converter four speed forward and reverse Powershuttle transmission with column mounted directional control lever and heavy duty gear driven transfer box. Optional "Powershift" transmission with changes of speed and forward/reverse direction controlled by one column mounted lever.

<b>Speeds</b>	Forward and Reverse	
	1	5.4km/h (3.4 mph)
	2	8.7km/h (5.4 mph)
	3	16.4km/h (10.1 mph)
	4	30.1km/h (18.7 mph)

<b>Tyres</b>	500/60 x 22.5
	12 ply
	Track grip tread

### Brakes and Axles

Twin circuit totally enclosed multiplate oil immersed discs, mounted on both axles with automatic adjustment for wear. Hand operated parking brake. Heavy duty axles with epicyclic reduction and fully floating half shafts.

### Kinglink Chassis

Front and rear chassis constructed from deep section folded steel plate, with three point Kinglink giving articulation and oscillation for better stability, traction and extra safety on site. Remote greasing point provided for lubrication of top Kinglink articulation pin.

### Skip

Hydraulically operated, 6 mm steel base plate. Domex 460 impact-resistant sides and top box-sections. Fully welded, mouth and sides of skip reinforced with box sections giving greater strength to minimise skip damage. No material traps.

### Seating & Controls

Adjustable suspension seat, fitted with high visibility rigid seat belt with adjustable web, accessible from both sides. Audible warning device for handbrake in "on" position, electric horn, large pedal pads, ignition key, park brake and skip controls ready to hand. Super bright LED warning lights visible from the drivers position for all critical functions.

### Service Access

Lockable three sided cover opens to provide easy access from ground level to engine service points, all located on the same side. Rear chassis panel can be hinged back on retainers. An additional service access door incorporates the battery. Moulded plastic diesel tank and steel hydraulic tank are positioned low in chassis side members, permitting access to the filler caps from ground level.

### Electrics

Engine control unit with shutdown monitoring. Electronic equipment function includes diagnostic port and tri-function hour meter/ fault code reader/ battery volt meter. Fuse & relay panel housed in easy to access position, with all wiring contained in solid sealed conduit and all electrical components water resistant to IP67 rating.

### Steering and Hydraulics

Single gear pump providing hydraulic functions includes priority power steering. Filter mounted on top of the tank accessible from ground level. Hydraulic test point fitted as standard.

<b>Tank Capacities</b>	Fuel	72 litres
	Hydraulic	50 litres

<b>Shipping Cube</b>	33.1 m <sup>3</sup> (with ROPS)
----------------------	---------------------------------

<b>Unladen Weight</b>	4890kg Powershift
	4830kg Powershuttle

<b>Clearance Diameter</b>	14.0m
---------------------------	-------

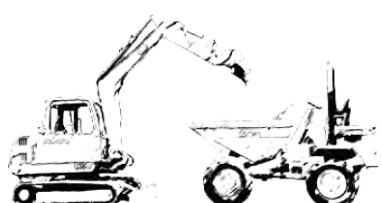
<b>Standard Equipment</b>	Towing bracket
	Folding ROPS frame
	Rotary beacon
	Low fuel level warning
	Water in fuel warning
	High visibility rigid seat belt
	Reverse alarm
	Low Brake Fluid warning
Handbrake test switch	



Thwaites Ltd. Leamington Spa, Warwickshire CV32 7NQ, England  
 Tel +44 (0)1926 422471 Fax +44 (0)1926 337155  
 www.thwaitesdumpers.co.uk

Distributor

**PES Plant Sales**  
**Bear Works**  
**Bear**  
**Nr Exeter**  
**EX5 3JX**  
**01392 882220**





We reserve the right to change all specifications without prior notice.  
 Printed in England 07/2013